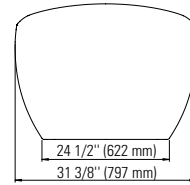
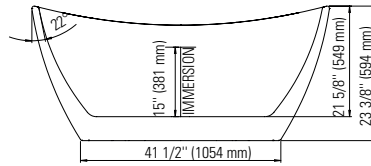
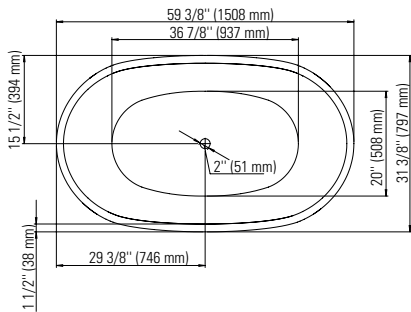
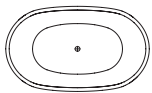


FLORENCE F1 3260

59 3/8" x 31 3/8" x 23 3/8" [61 gallons]

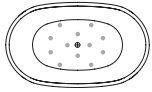


24-48 hrs



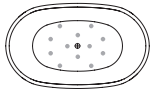
Bathtub only

FLO3260F1



Mass-Air
Included: 12 injectors, 750W (1 1/2h.p.) Optima blower, with 300W heating element, 72" blower hose extension, and remote control.

FLO3260F1M



Rouge-Air
Included: 12 micro-jets, 750W (1 1/2h.p.) Optima blower, with 300W heating element, 72" blower hose extension, and remote control.

FLO3260F1A

GENERAL OPTIONS

Overflow and waste included: Chrome

Above-the-floor rough (AFR)

Acrylic Colour: White

Adjustable feet

Standard

Bathtub drain adapter (picture below)

Gel black neck pillow

White or brushed nickel overflow and drain kit

MASS-AIR / ROUGE-AIR OPTIONS

Mass-Air Jet finish: White/Chrome

Standard

Others: Chrome/Chrome

96" blower hose extension

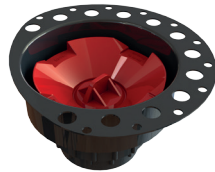
A blower hose extension is required when the blower is located more than 4' from the bathtub.

BATHTUB DRAIN ADAPTER

D-111 (123 Connect) is a floor drain adapter designed to facilitate the installation of freestanding bathtubs (must be installed before tiles are laid).

Designed to be installed in a 8" to 10" joist space.

Can be installed with a waterproofing membrane



LINEAR OVERFLOW



White



Brushed nickel



Chrome



Intertek

CONFORMITY ATTESTATION
Bathtub Standards
CAN / CSA.B45.5
Hydromassage Standard
CAN / CSA.B45.10 / CSA.C22.2 / UL-1795



ECORESPONSABLE Certification
First manufacturer of bathroom products in North America to be certified ecoresponsible



Produits Neptune
Rouge

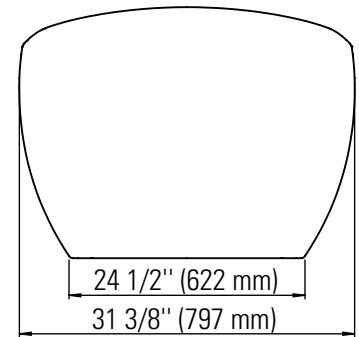
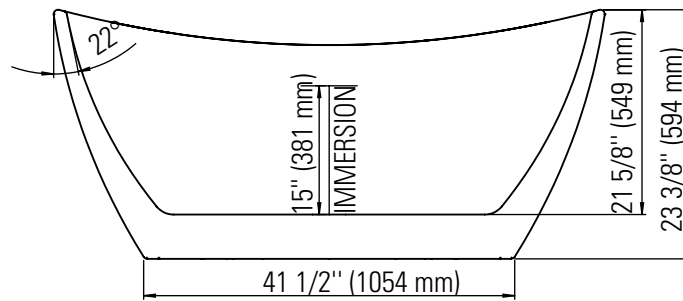
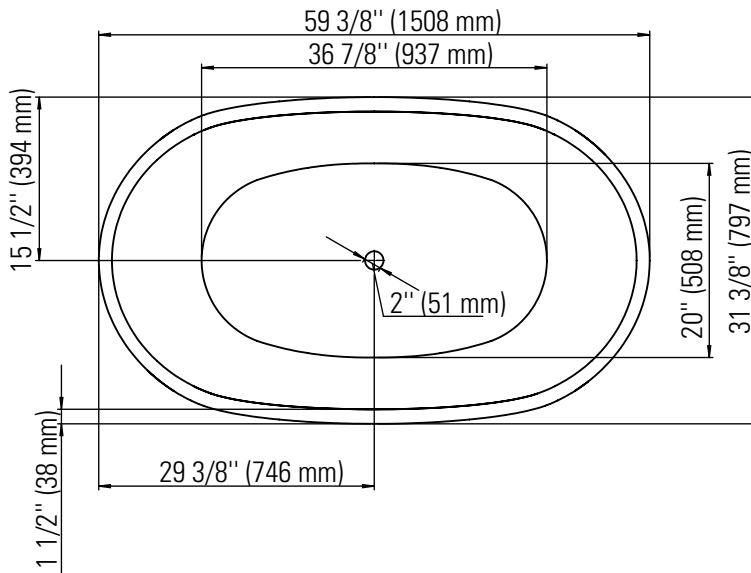
6635, Picard street, Saint-Hyacinthe (Québec) J2S 1H3
Phone: (450) 773-7058 - Fax: (450) 773-5063
produitsneptune.com



Produits Neptune
Rouge

FLORENCE 3260F1

Bathtub



Ajustable feet
Above-the-floor rough (AFR)

*All dimensions are approximate and subject to change without notice
Please refer to the installation guide before beginning the installation